

THREADED ROD  
NOT PROVIDED BY  
QUALITY PERFORATING

3/8"-16 SERRATED  
FLANGE HEX NUT  
GRADE 5 ZINC PLATE/  
18-8 STAINLESS STEEL

3/8-16 x 1" Long Bolts

SERRATED FLANGE HEX BOLT  
GRADE 5 STEEL ZINC PLATE/  
18-8 STAINLESS STEEL

**PART NUMBER: CBLTR.FTW\_\***

(\* ) SPECIFY FINISH:  
S = 316L STAINLESS STEEL  
P = POWDERCOAT  
G = GALVANIZED

NOTICE: THIS DRAWING IS THE PROPERTY OF QUALITY PERFORATING INC  
AND MAY NOT BE USED WITHOUT EXPRESS WRITTEN  
PERMISSION OF QUALITY PERFORATING INC.

CUSTOMER	QUALITY PERFORATING
DESCRIPTION:	CABLE TRAY FOOT TEE WALL BRACKET
SCALE:	CENTER

MAT'L:	SS316L / HRPO
THK/GA:	3/16"
PERF:	CENTER

IPA	Commercial	TOLERANCE
SHEARING TOL:	+,-	1/4"
* RESQUARED TOL:		
FLATNESS TOL:		

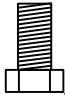
* DIFFERENCE OF DIAGONAL MEASURE
----------------------------------

**QUALITY PERFORATING INC**  
CARBONDALE, PA USA

DWG #	CBLTR.FTW
DWN BY	PV
DATE	10/18/17

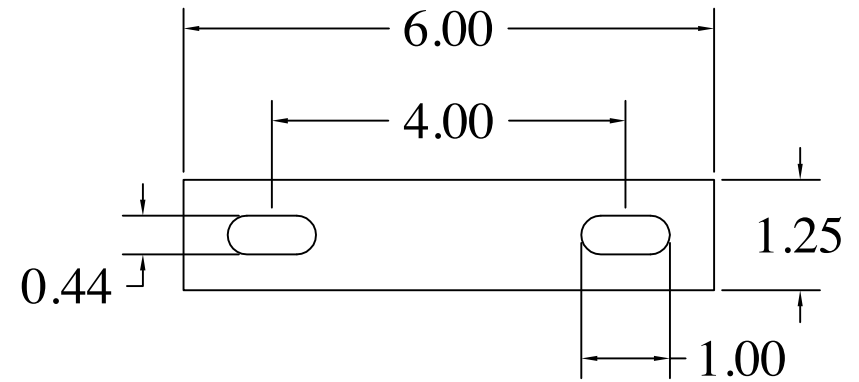




**3/8"-16 SERRATED FLANGE HEX NUT**  
**GRADE 5 ZINC PLATE/ 18-8 STAINLESS STEEL**

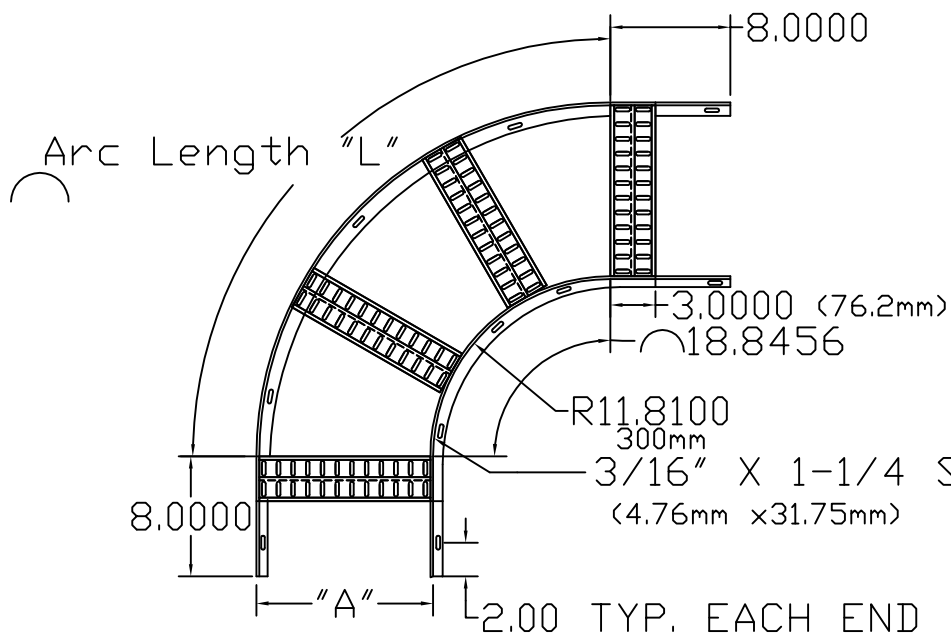

**3/8-16 x 1" Long Bolts**  
**SERRATED FLANGE HEX BOLT**  
**GRADE 5 STEEL ZINC PLATE/**  
**18-8 STAINLESS STEEL**

**PART NUMBER: CBLTR.SPLICE-\***

(\*) SPECIFY FINISH:  
 S = 316L STAINLESS STEEL  
 P = POWDERCOAT  
 G = GALVANIZED



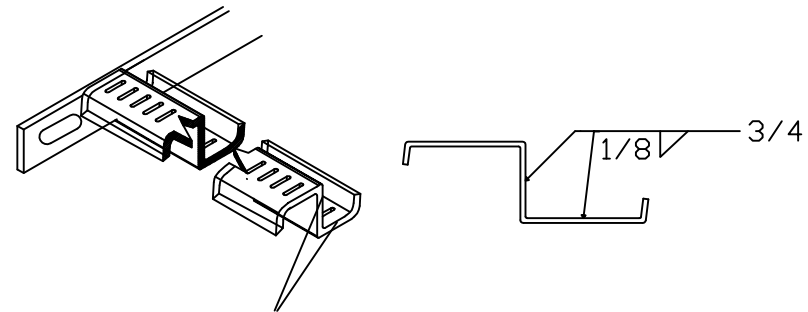
NOTICE: THIS DRAWING IS THE PROPERTY OF QUALITY PERFORATING INC AND MAY NOT BE USED WITHOUT EXPRESS WRITTEN PERMISSION OF QUALITY PERFORATING INC.	MAT'L: SS316L / HRPO	IPA Commercial TOLERANCE	<b>QUALITY PERFORATING INC</b> CARBONDALE, PA USA 
	THK/GA: 3/16"	SHEARING TOL: +/- 1/4"	
CUSTOMER QUALITY PEFORATING	PERF:	* RESQUARED TOL:	DWG # CBLTR.SPLICE
DESCRIPTION: CABLE TRAY SPLICE PLATE	CENTER:	FLATNESS TOL:	DWN BY PV
	SCALE:	* DIFFERENCE OF DIAGONAL MEASURE	DATE 10/18/17



OUTSIDE

PART NUMBER	ARC LENGTH "L"	"A" DIMENSION
CBLTR.D90W4-*	24.34"(618mm)	3.9" (100mm)
CBLTR.D90W6-*	27.48"(698mm)	5.9" (150mm)
CBLTR.D90W8-*	30.47"(774mm)	7.8" (200mm)
CBLTR.D90W12-*	36.75"(933mm)	11.8" (300mm)
CBLTR.D90W16-*	42.88"(1089mm)	15.7"(400mm)
CBLTR.D90W18-*	46.02"(1169mm)	17.7"(450mm)
CBLTR.D90W20-*	49.00"(1245mm)	19.6"(500mm)
CBLTR.D90W24-*	55.33"(1405mm)	23.6"(600mm)
CBLTR.D90W30-*	64.70"(1643mm)	29.5"(750mm)
CBLTR.D90W36-*	73.97"(1879mm)	35.4"(900mm)

(\* ) SPECIFY FINISH:  
 S = 316L STAINLESS STEEL  
 P = POWDERCOAT  
 G = GALVANIZED



WELD: 1/8" BEAD X 3/4" LONG

NOTICE: THIS DRAWING IS THE PROPERTY OF QUALITY PERFORATING INC AND MAY NOT BE USED WITHOUT EXPRESS WRITTEN PERMISSION OF QUALITY PERFORATING INC.

CUSTOMER QUALITY PERFORATING

DESCRIPTION: 90 DEGREE CABLE TRAY

MAT'L: SS316L / HRPO

THK/GA: 16 GA, 3/16"

PERF: 1/4 X 3/4 SLOT

CENTER: .98" STR.

SCALE:

IPA Commercial TOLERANCE

SHEARING TOL: +/- 1/4"

\* RESQUARED TOL:

FLATNESS TOL:

\* DIFFERENCE OF DIAGONAL MEASURE

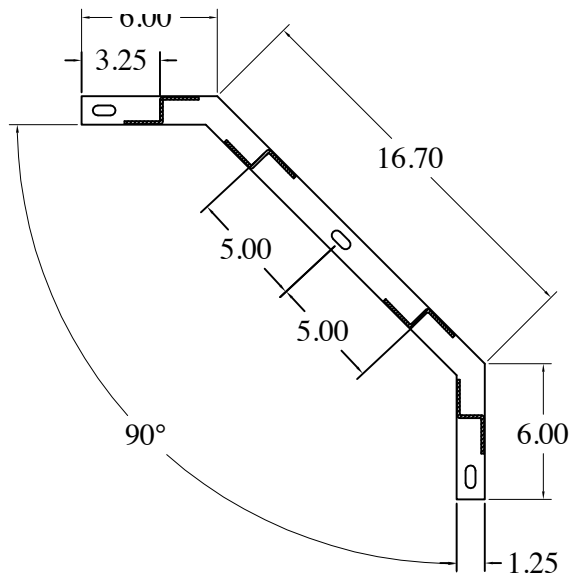
**QUALITY PERFORATING INC**  
 CARBONDALE, PA USA



DWG # CBLTRD90W

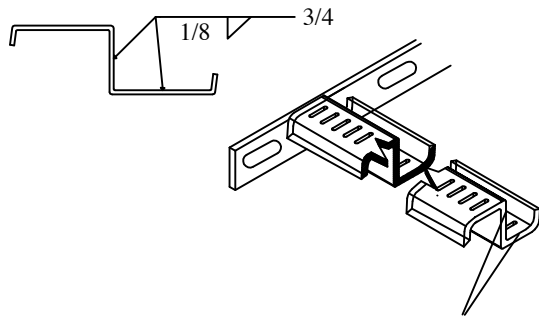
DWN BY PV

DATE 10/18/17



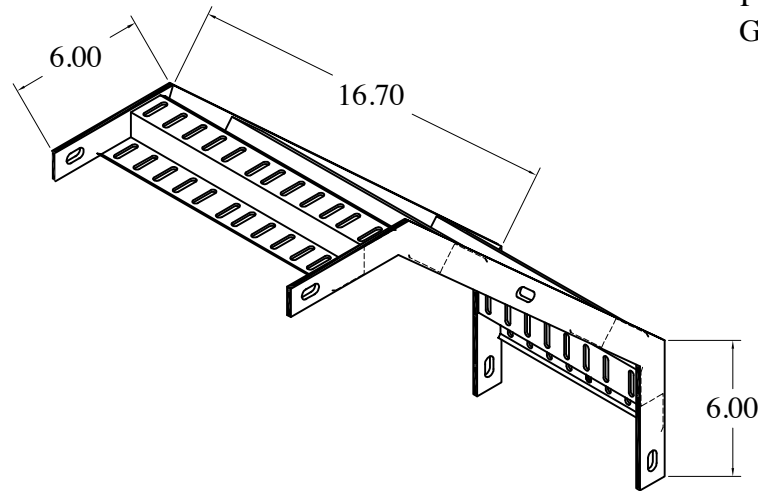
PART NUMBER	"A" DIMENSION
CBLTR.H90W4-*	3.9" (100mm)
CBLTR.H90W6-*	5.9" (150mm)
CBLTR.H90W8-*	7.8" (200mm)
CBLTR.H90W12-*	11.8" (300mm)
CBLTR.H90W16-*	15.7" (400mm)
CBLTR.H90W18-*	17.7" (450mm)
CBLTR.H90W20-*	19.6" (500mm)
CBLTR.H90W24-*	23.6" (600mm)
CBLTR.H90W30-*	29.5" (750mm)
CBLTR.H90W36-*	35.4" (900mm)


(\* ) SPECIFY FINISH:  
 S = 316L STAINLESS STEEL  
 P = POWDERCOAT  
 G = GALVANIZED

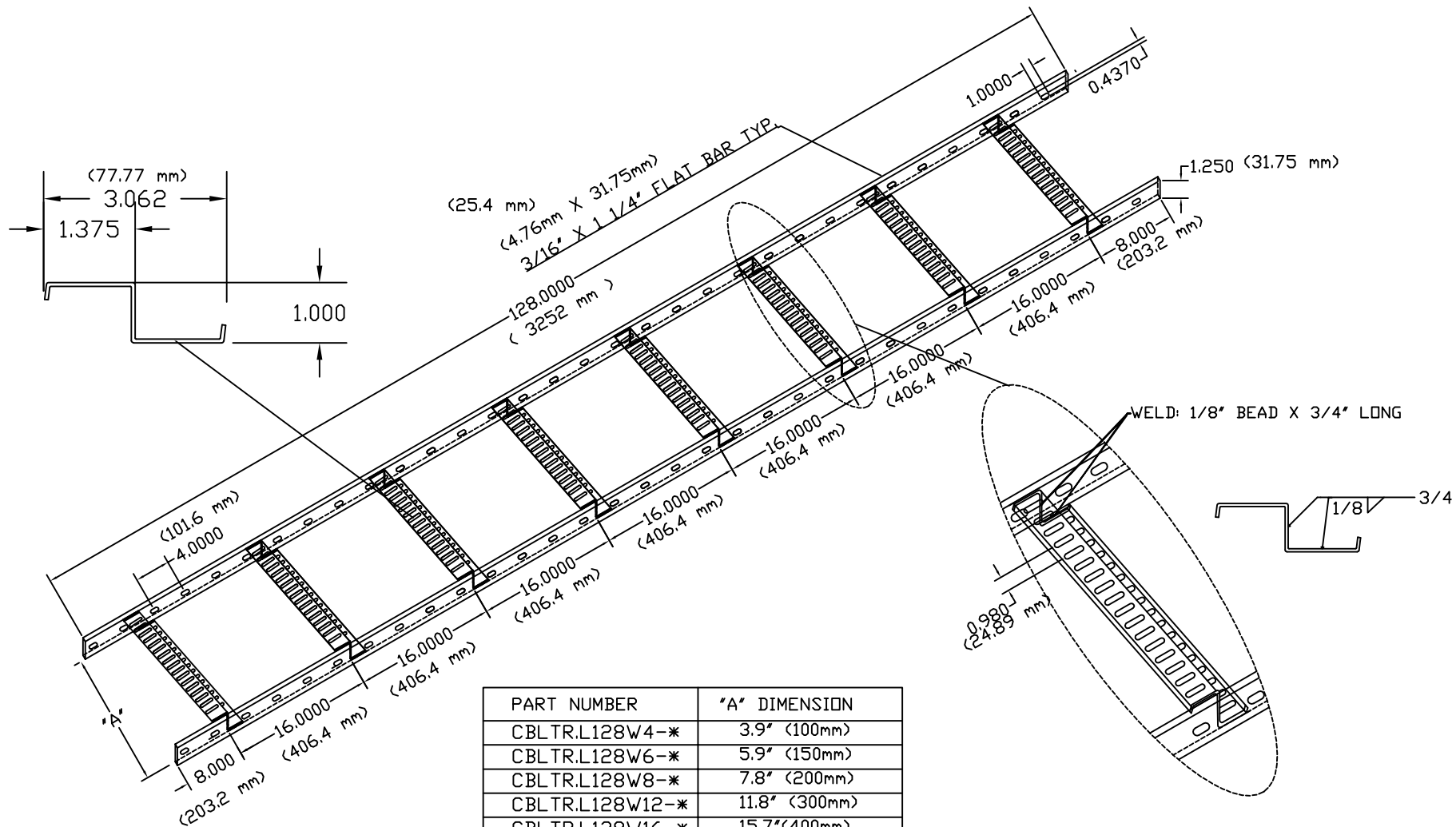


WELD: 1/8" BEAD X 3/4" LONG  
 2-PLCS. PER Z-BAR

4 Z-BARS PER UNIT



NOTICE: THIS DRAWING IS THE PROPERTY OF QUALITY PERFORATING INC AND MAY NOT BE USED WITHOUT EXPRESS WRITTEN PERMISSION OF QUALITY PERFORATING INC.	MAT'L: SS316L / HRPO	IPA Commercial TOLERANCE	<b>QUALITY PERFORATING INC</b> CARBONDALE, PA USA 
	THK/GA: 16 GA, 3/16"	SHEARING TOL: +/- 1/4"	
CUSTOMER QUALITY PEFORATING	PERF: 1/4 X 3/4 SLOT	* RESQUARED TOL:	DWG # CBLTRH90W
DESCRIPTION: HARD 90 DEGREE CABLE TRAY	CENTER: .98" STR.	FLATNESS TOL:	DWN BY PV
	SCALE:	* DIFFERENCE OF DIAGONAL MEASURE	DATE 10/18/17



PART NUMBER	"A" DIMENSION
CBLTR.L128W4-*	3.9" (100mm)
CBLTR.L128W6-*	5.9" (150mm)
CBLTR.L128W8-*	7.8" (200mm)
CBLTR.L128W12-*	11.8" (300mm)
CBLTR.L128W16-*	15.7" (400mm)
CBLTR.L128W18-*	17.7" (450mm)
CBLTR.L128W20-*	19.6" (500mm)
CBLTR.L128W24-*	23.6" (600mm)
CBLTR.L128W30-*	29.5" (750mm)
CBLTR.L128W36-*	35.4" (900mm)

(\*) SPECIFY FINISH:  
 S = 316L STAINLESS STEEL  
 P = POWDERCOAT  
 G = GALVANIZED

NOTICE: THIS DRAWING IS THE PROPERTY OF QUALITY PERFORATING INC AND MAY NOT BE USED WITHOUT EXPRESS WRITTEN PERMISSION OF QUALITY PERFORATING INC.

CUSTOMER QUALITY PERFORATING

DESCRIPTION: STRAIGHT CABLE TRAY

MAT'L: SS316L / HRPO

THK/GA: 16 GA, 3/16"

PERF: 1/4 X 3/4 SLOT

CENTER: .98" STR.

SCALE:

IPA Commercial TOLERANCE

SHEARING TOL: +/- 1/4"


\* RESQUARED TOL:

FLATNESS TOL:

\* DIFFERENCE OF DIAGONAL MEASURE

**QUALITY PERFORATING INC**

CARBONDALE, PA USA



DWG # CBLTRL128W

DWN BY PV DATE 10/18/17